



## IMB System-on-a-Chip

**Integrated Mobile Broadcast (IMB) is standardised as part of 3GPP Release 8 and is ideally placed to address the growing market for a global broadcast solution for mobile devices.**

**IMB harmonises the elements of existing 3GPP Release 7 WCDMA and TD-CDMA standards to achieve a unified solution incorporating the best technology from both.**

### FEATURES

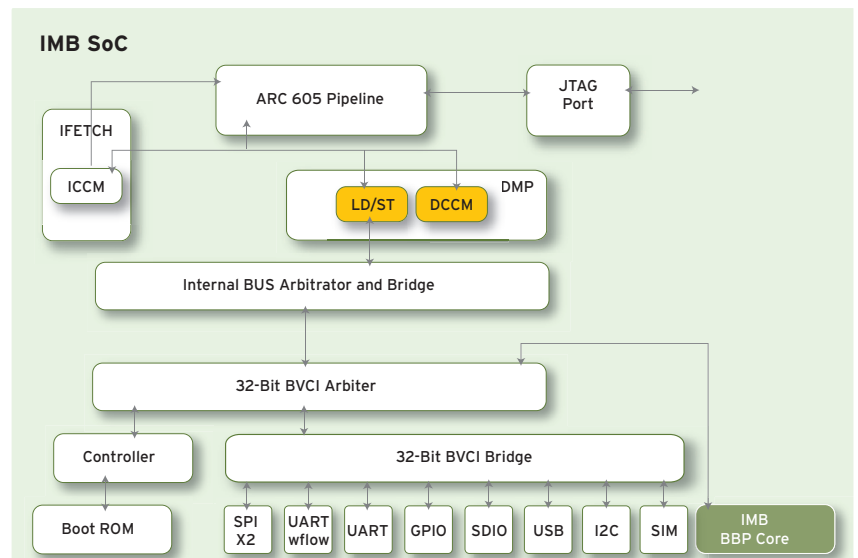
- 3GPP IMB Release 8 operation
- Single 122MHz ARC processor
- 160 MIPS of processing power
- 512Kbytes of on-chip Instruction RAM
- 256Kbytes of on-chip Data RAM
- Internal boot ROM
- Boot from SDIO, SPI, UART or external EEPROM
- SDIO, SPI and UART host interfaces
- I2C and SIM auxiliary interfaces
- High speed operation up to 360kmph
- DigRF radio interface
- 121-pin VFBGA package Future proof SDR architecture

### DESCRIPTION

The IMB System-on-Chip from IPWireless provides all the digital functionality for a IMB receiver application. A single embedded ARC processor and an IMB baseband core combine with SDIO, SPI, I2C, SIM and UART interfaces in a single ultra-low-power 40nm design. When integrated with the IPWireless IMB software stack and a RF chipset, manufacturers can quickly bring innovative IMB solutions to market.

### APPLICATIONS

- Mobile handsets
- Other mobile consumer devices



PART NUMBER	DESCRIPTION
IMBSOC01	121-PIN VFBGA

#### ORDERING INFORMATION

To place an order, please contact IPWireless regional sales.

Americas – americassales@ipwireless.com

EMEA – emeasales@ipwireless.com

Asia Pacific – apacsales@ipwireless.com

#### ABOUT IPWIRELESS

IPWireless is a pioneer in developing and designing 3G and 4G wireless broadband and broadcast solutions, including chipsets, devices and complete network infrastructure solutions, based on 3GPP, the world's preeminent mobile standard. The company's high performance mobile broadband and integrated mobile broadcast (IMB) solutions enable mobile operators, consumer electronics companies, as well as government, public safety and military agencies to deliver a new generation of wireless services and develop compelling new applications using untapped global spectrum bands. The company's mobile broadband and IMB solutions have been deployed by some of the world's largest mobile operators, and government agencies including T-Mobile, Orange, New York City's Department of Information Technology and Telecommunications (DoITT) and more. In Q2 2010, IPWireless and Sony announced an initiative to jointly develop 4G and Beyond Wireless Technologies.

IPWireless is headquartered in San Francisco, California, and operates a technology development center in Chippenham, UK. For more information, visit the company's Web site at

[www.ipwireless.com](http://www.ipwireless.com).



#### Corporate Headquarters

90 New Montgomery Street, Suite 315  
San Francisco, CA 94105 USA  
+1 415 430 1350 Fax +1 415 957 5821

#### U.K. R&D Centre

Unit 7, Greenways Business Park  
Chippenham, Wiltshire SN15 1BN United Kingdom  
+44 (0) 1249 800 100